

SPECIFICATIONS

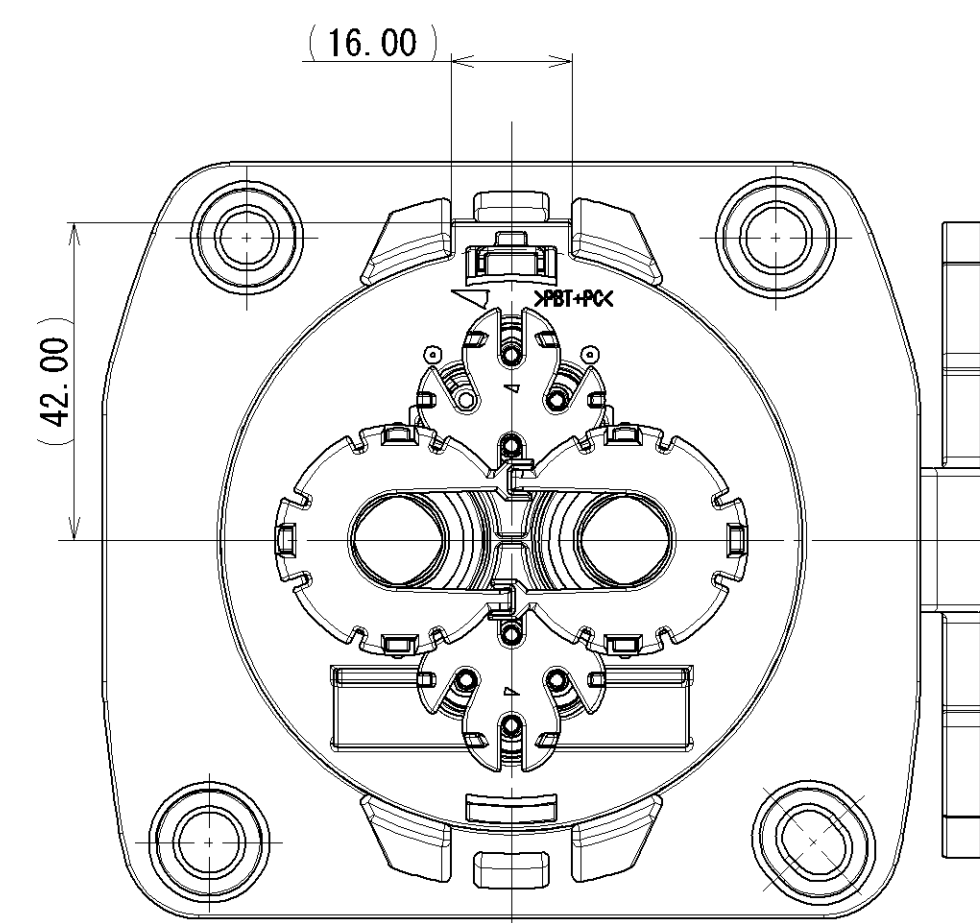
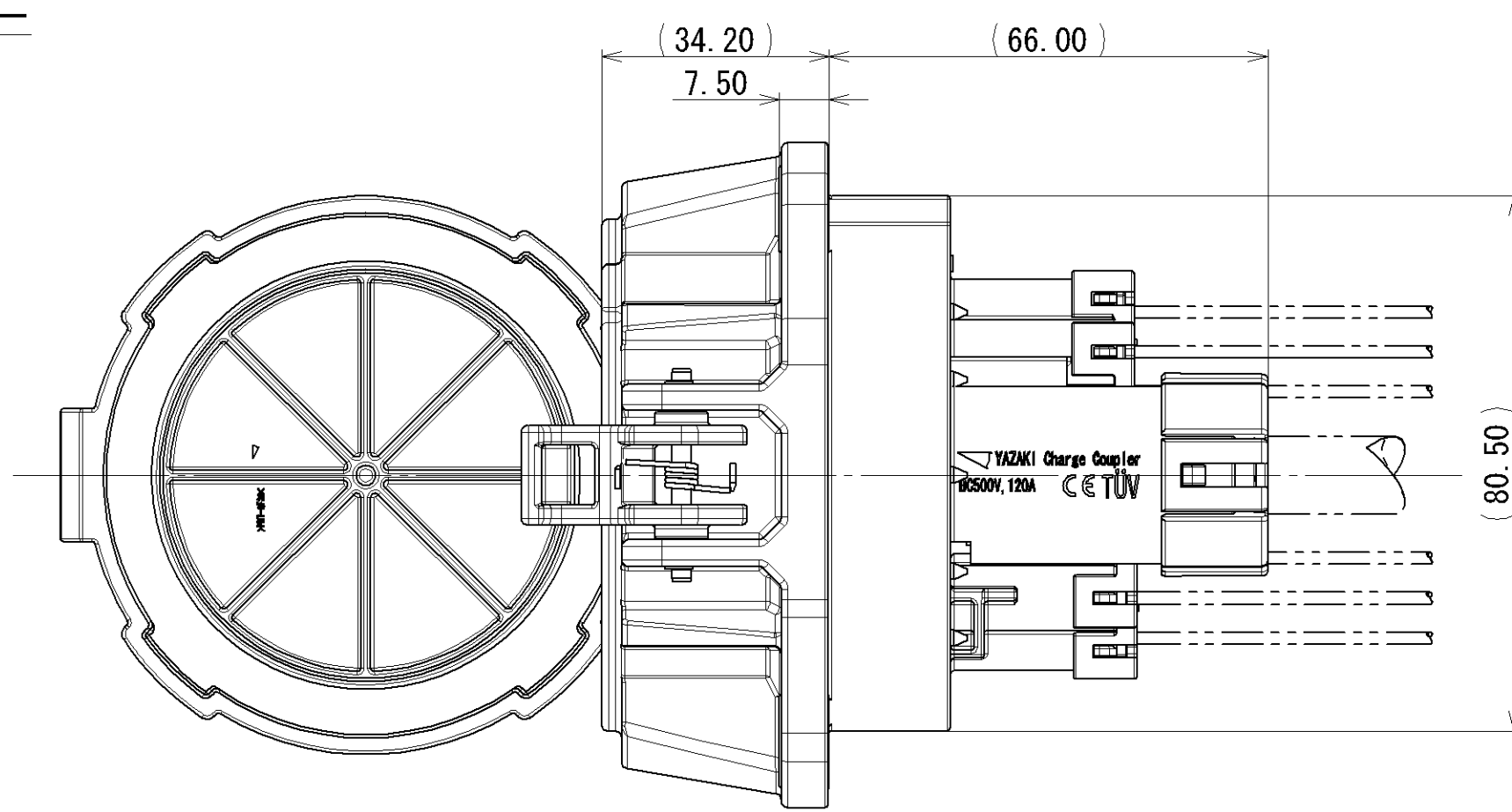
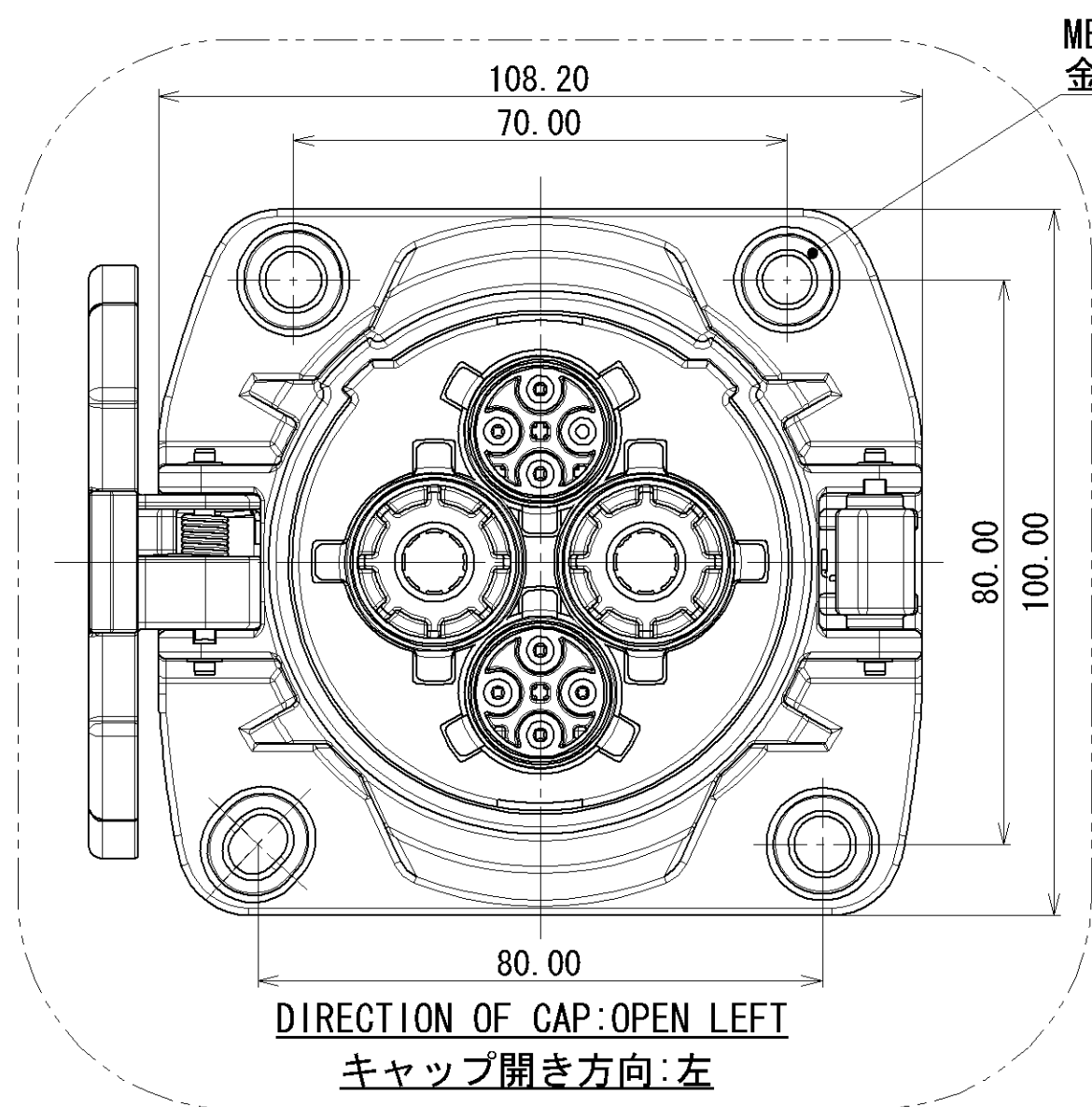
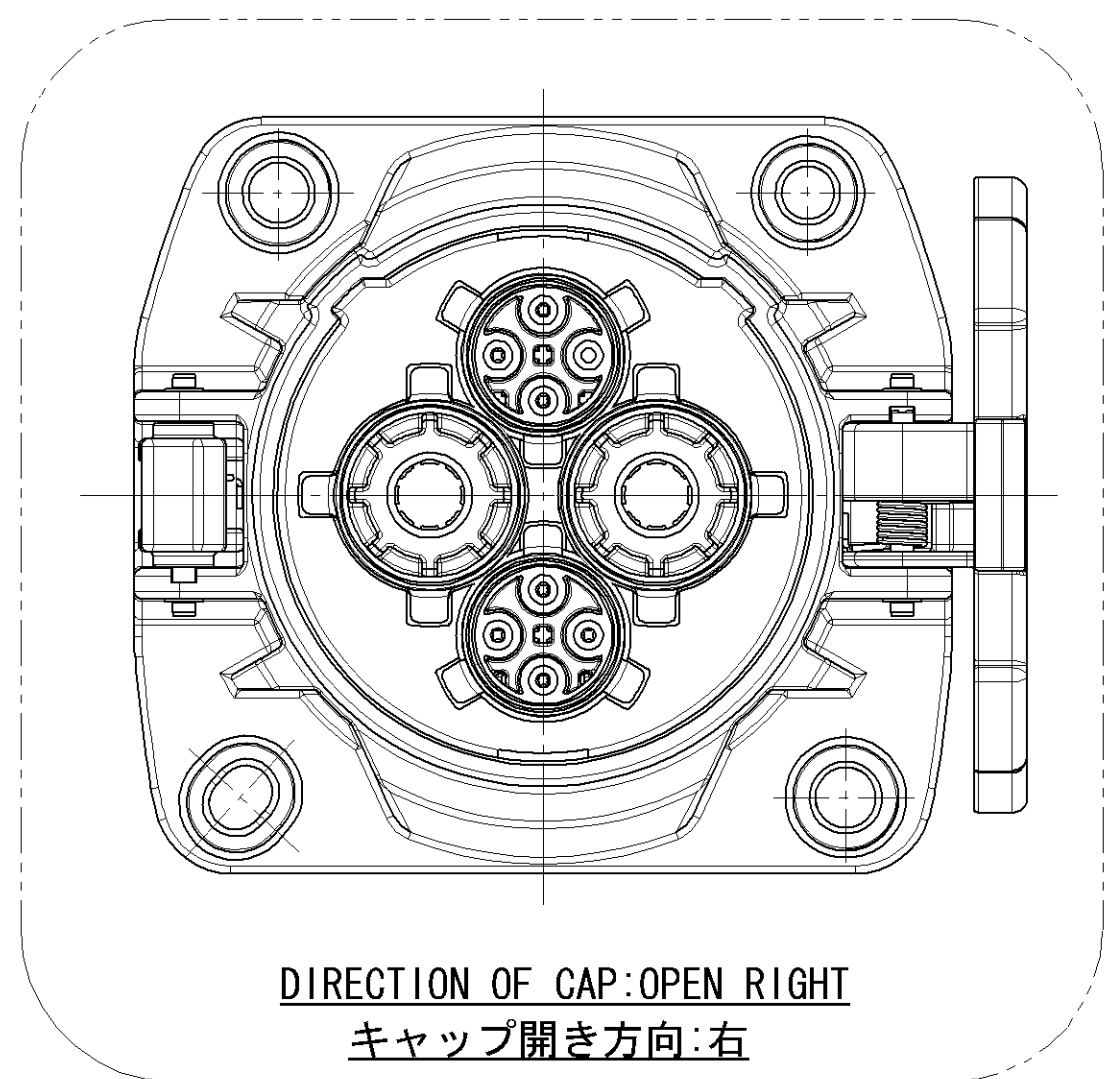
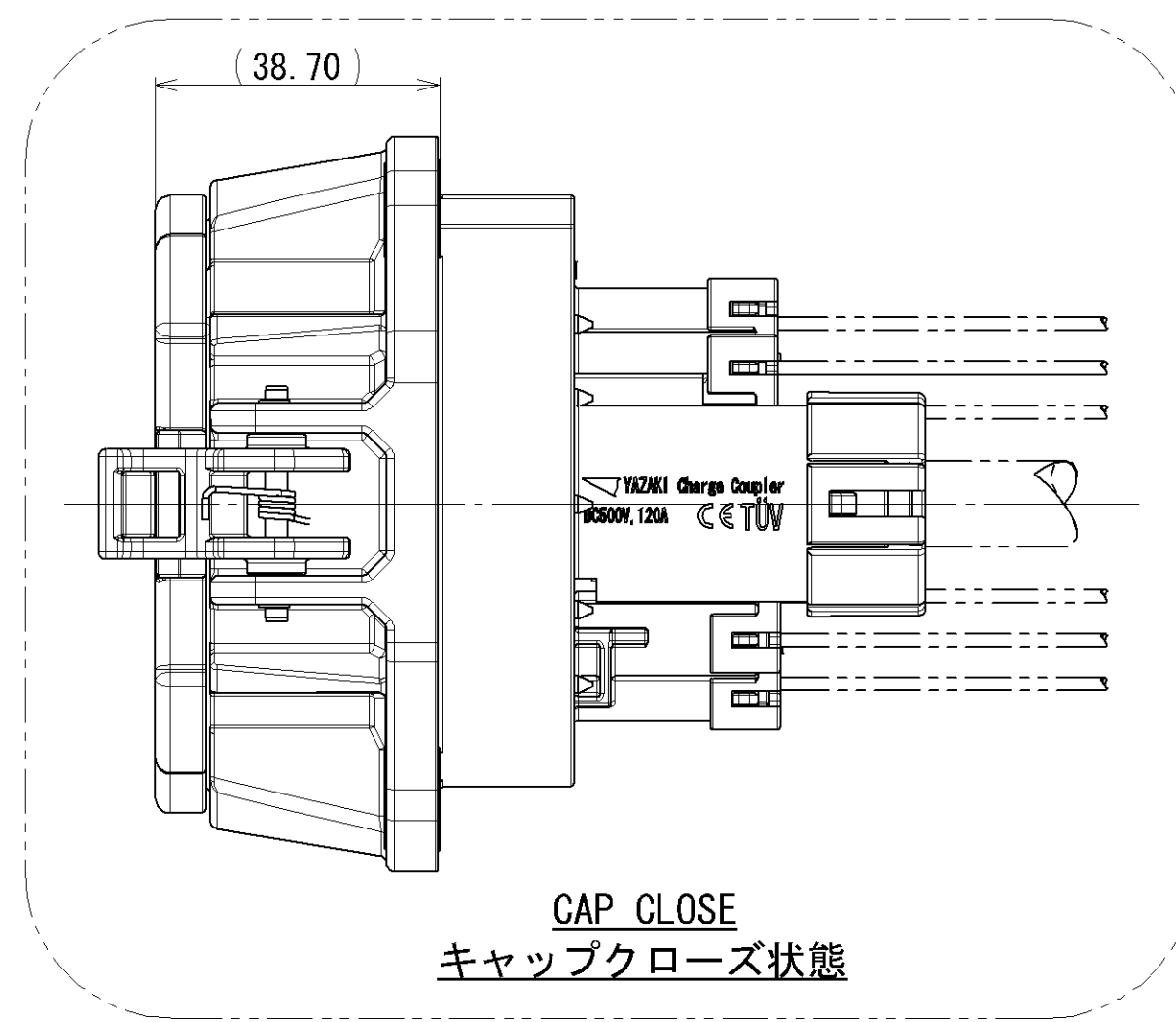
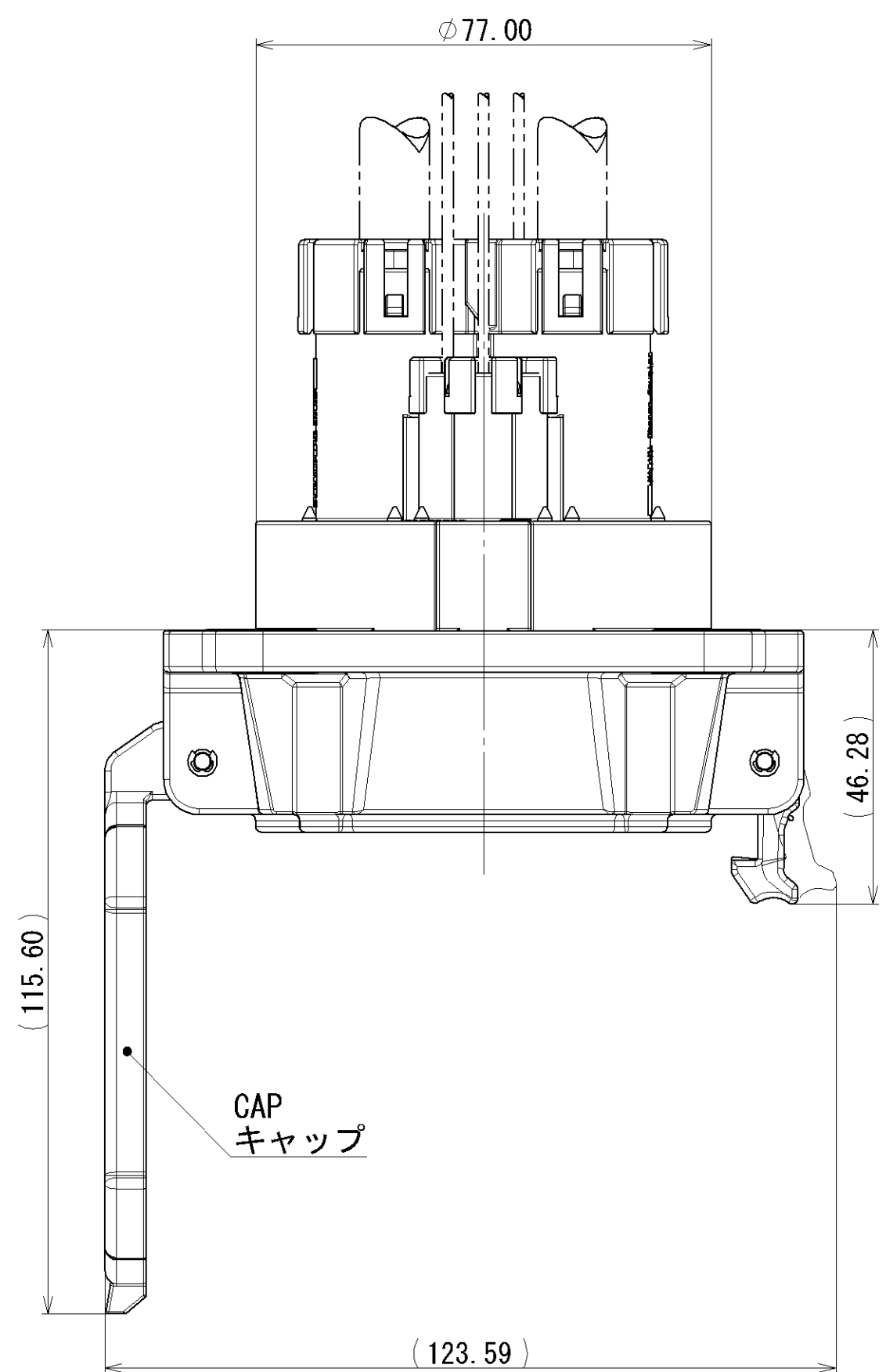
AUTHENTICATION AUTHORITY:	UL	TUV
AUTHENTICATION STANDARD:	UL2251	IEC62196-1
RATED VOLTAGE:	DC 500V	
RATED CURRENT:	120A	
NUMBER OF POLES:	POWER 2, SIGNAL 7	
OPERATION TEMPERATURE RANGE:	-40 ~ 60°C	

1) CONFORMING TO THE EUROPEAN ELV AND RoHS DIRECTIVES

仕様

認証機関	UL	TUV
認証規格	UL2251	IEC62196-1
定格電圧	DC 500V	
定格電流	120A	
極数	POWER 2, SIGNAL 7	
動作温度範囲	-40 ~ 60°C	

1) 欧州ELV、RoHS指令に対応



SCALE 1:1 ANGLE 3

NAME DC CHARGING CONNECTOR / VEHICLE-SIDE INLET  
DC充電コネクタ / 車両側インレット  
YAZAKI CORPORATION